

53-1001789-01
January 31, 2010



Power Supply

Replacement Procedure

Supporting the Brocade Encryption Switch and PowerConnect B-8000

53-1001789-01



Notes, Cautions, and Warnings

NOTE

A NOTE indicates important information that helps you make better use of your computer.



CAUTION

See the safety and regulatory information that shipped with your system. For additional regulatory information, see the Regulatory Compliance Homepage on www.dell.com at the following location: www.dell.com/regulatory_compliance.



CAUTION

A CAUTION indicates potential damage to hardware or loss of data if instructions are not followed.



DANGER

A DANGER indicates a potential for property damage, personal injury, or death.

Information in this document is subject to change without notice.

© 2009 Dell Inc. All rights reserved.

Reproduction of these materials in any manner whatsoever without the written permission of Dell Inc. is strictly forbidden.

Trademarks used in this text: *Dell*, the *DELL* logo, *Inspiron*, *Dell Precision*, *Dimension*, *OptiPlex*, *Latitude*, *PowerEdge*, *PowerVault*, *PowerApp*, *Dell OpenManage* and the *YOURS IS HERE* logo are trademarks of Dell Inc.; *Intel*, *Pentium*, and *Celeron* are registered trademarks of Intel Corporation in the U.S. and other countries; *Microsoft*, *Windows*, *Windows Server*, *MS-DOS* and *Windows Vista* are either trademarks or registered trademarks of Microsoft Corporation in the United States and/or other countries.

Other trademarks and trade names may be used in this document to refer to either the entities claiming the marks and names or their products. Dell Inc. disclaims any proprietary interest in trademarks and trade names other than its own.

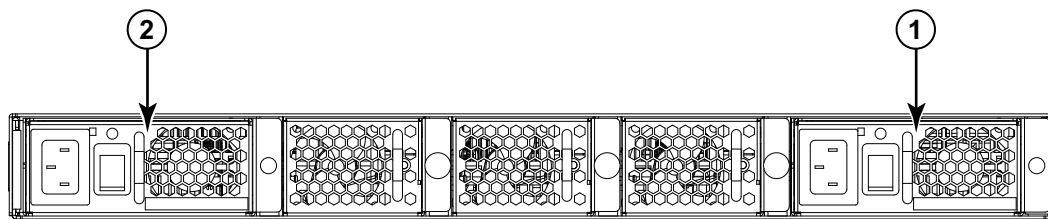
Regulatory Model Codes: Brocade DCX-4S, Brocade DCX

In this guide

- Power supply replacement 3
- Time required 4
- Items required 4
- Replacing a power supply 4

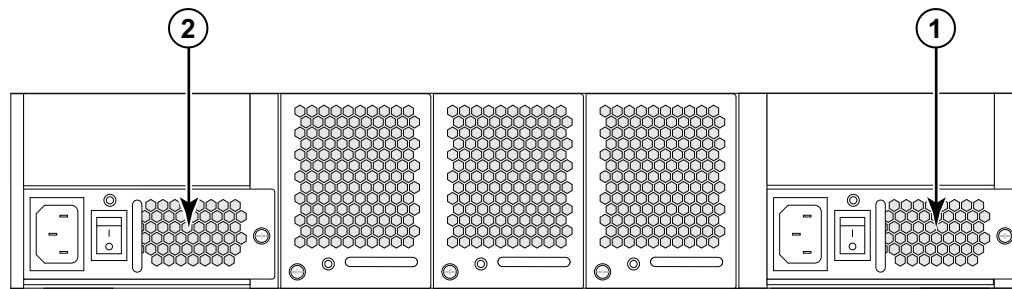
Power supply replacement

The Brocade Encryption Switch and the PowerConnect B-8000 share the same power supplies and each has two power supplies, as displayed in [Figure 1](#) and [Figure 2](#).



1 Power supply 1 2 Power supply 2

FIGURE 1 Location of power supplies for the PowerConnect B-8000



1 Power supply 1 2 Power supply 2

FIGURE 2 Location of power supplies for the Brocade Encryption Switch



CAUTION

Disassembling any part of the power supply voids the part warranty and regulatory certifications. There are no user-serviceable parts inside the power supply. The cooling system relies on pressurized air, do not leave either of the power supply slots empty longer than two minutes when the switch is operating. If a power supply fails, leave the power supply in the switch until it can be replaced. Maintain both power supplies in operational condition to provide redundancy.

Table 1 on page 4 describes the power supply status LED colors, behaviors, and actions required, if any.

TABLE 1 Power supply status LED behavior, description, and required actions

LED Color	Description	Action Required
No light	Power supply is not receiving power, or is off.	Verify that the power supply is on and seated and the power cord is connected to a functioning power source.
Steady green	Power supply is operating normally.	No action is required.
Steady amber (for more than 5 seconds)	Power supply fault for one of the following reasons: <ul style="list-style-type: none">• The power supply is switched off• The power cable is disconnected• The power supply has failed NOTE: When the switch is first powered on the power supply status LED will show amber until POST has completed.	Try one of the following: <ul style="list-style-type: none">• Check the power cable connection• Verify that the power supply is powered on• Replace the power supply FRU

Time required

Replacing a power supply in either switch should require less than two minutes to complete.

Items required

The following items are required to replace a power supply:

- New 350W power supply
- Phillips-head screwdriver #1

Replacing a power supply

To replace a power supply unit in the switch:

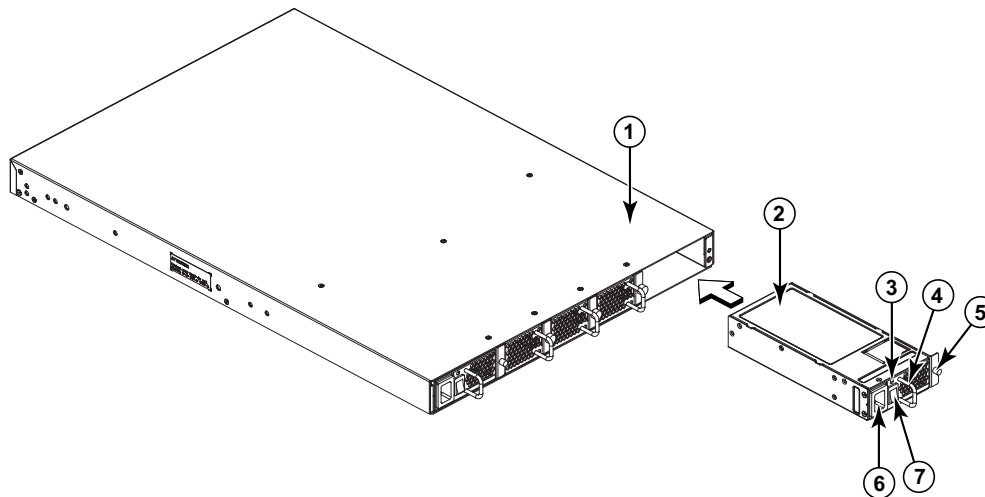
1. To leave the switch in service while replacing a power supply, verify that the other power supply (the one not being replaced) has been powered on for at least four seconds and has a steady green LED.
2. Power off the power supply by pressing the AC power switch to the “0” symbol. See [Figure 3](#) for the location of the AC power switch.
3. Unplug the power cord from the power supply that is being replaced.
4. Using a Phillips-head screwdriver, unscrew the captive screw on the power supply.
5. Remove the power supply from the chassis by pulling the handle on the power supply out, away from the chassis.
6. Install the new power supply in the chassis:



CAUTION

Do not force the installation. If the power supply does not slide in easily, ensure that the power supply is correctly oriented before continuing.

- a. Orient the power supply as shown in [Figure 3](#), with the AC power switch on the left.
 - b. Gently push the power supply into the chassis until it is firmly seated.
 - c. Secure the power supply to the chassis by screwing in the captive screw using the Phillips-head screwdriver.
7. Plug the power cord in to the power supply and power on the unit by pressing the AC power switch to the “1” symbol.
 8. Verify that the LED on the new power supply displays a steady green light while the switch is operating (see [Table 1](#) on page 4). If the LED is not a steady green, ensure that the power supply is securely installed and seated properly.
 9. Optionally, if using the Command Line Interface (CLI), enter the **psShow** command at the command line prompt to display power supply status. Power supply status can also be viewed using the Web Tools application. See [Figure 1](#) and [Figure 2](#) on page 3 for the location of power supply 1 and power supply 2.



- | | | | |
|---|--------------|---|---------------------|
| 1 | Switch | 5 | Captive screw |
| 2 | Power supply | 6 | AC Power receptacle |
| 3 | Status LED | 7 | AC power switch |
| 4 | Handle | | |

FIGURE 3 Inserting the power supply in the switch (PowerConnect B-8000 shown)

